

## Technical data

Max working height	12,2 m
Max height basket floor	10,2 m
Moving height	8,0 m
Max outreach (load 80 kg)	7,0 m
Max outreach (load 230 kg)	5,4 m
Rotation angle	+/-110°
Basket size	1,4 x 0,7 m
Basket rotation angle	+/- 70°
Max basket capacity	230 kg
Length in stowed position (with detached basket)	3,7 (3,0) m
Min width in stowed position	1,15 m
Max working width	1,95 m
Min height in stowed position	1,98 m
Longitudinal leveling	+/- 15°
Lateral leveling	+/- 15°
Max gradeability	25°
Max side gradeability	25°
Drive speed (fast)	2,5 km/h
Security speed	0,3 km/h

## Weights

Traffic load	3,86 kN/m <sup>2</sup>
Total weight	2850 kg

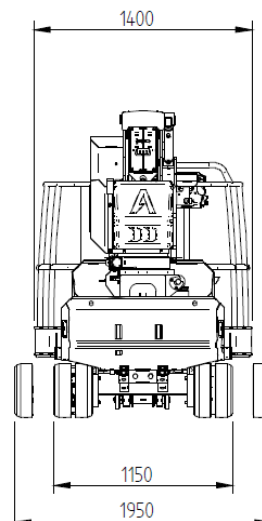
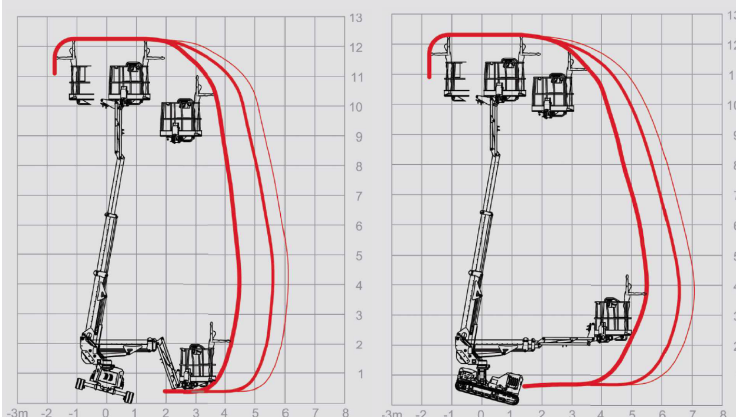
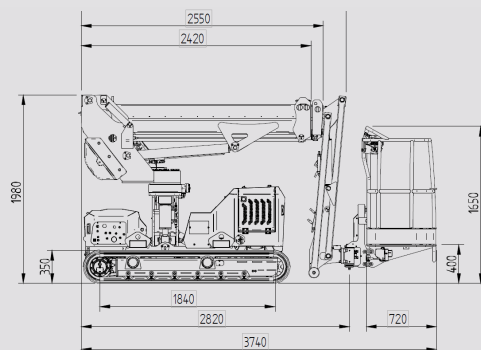
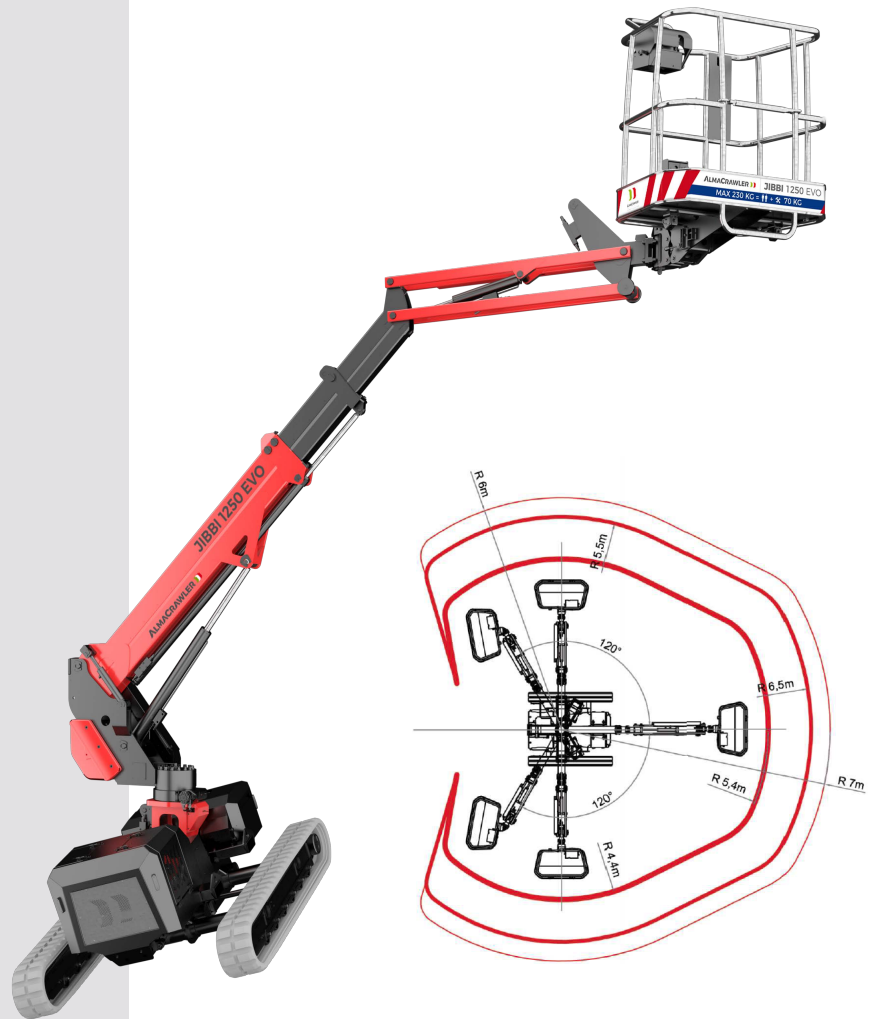
## Power

3TNM68 -AS Yanmar engine (diesel)	14 kW - 19,2 Hp
-----------------------------------	-----------------

## Extras - On Demand

Non-marking tracks	-
Electric pump 220V-2,2KW / 50Hz	-
Radio remote control	-
Arctic lubricant for cold climate	-

# JIBBI 1250 EVO



### Other Features:

- 240° Slewing ring rotation
- Basket rotation kit +/- 70°
- Integrated Drive System (using single joystick)
- automatic and dynamic leveling.
- Compact Dimensions.
- Removable basket

